



Specification Information

Product Code: 103-1

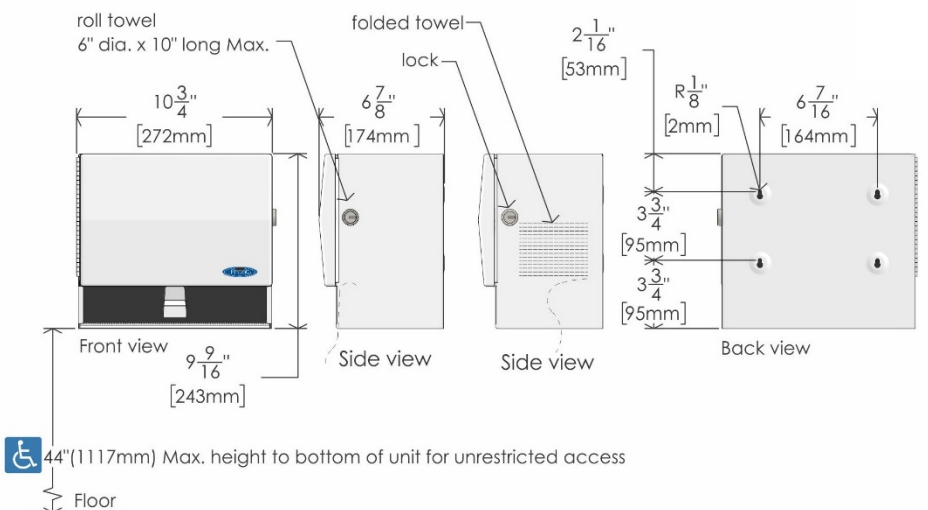
Product Name: Universal Towel Dispenser

Individual Carton UPC: 624622103101

Individual Carton Shipping Dimensions: 25.4cm H x 27.9cm W x 17.8cm D (10" H x 11" W x 7" D)

Individual Carton Shipping Weight: 2.5 kg (5.5 lbs)

Site Location: Frost's 103-1 universal towel dispenser is an industry standard and can be used in any room or site location. Designed to be practical, durable, and diverse, this dispenser is applicable for many different locations. Some areas for potential use include: schools, restaurants, malls, office buildings, condominiums, fitness facilities, recreation centres, retirement & nursing home communities, etc. This product was engineered to be extremely straightforward and easy to use. The effortless design and durable construction of this product make this an ideal dispenser for end users and property managers.



Features:

- Straightforward design makes this product extremely user friendly and also reduces the risk of product malfunction
- Non-proprietary dispenser which can lead to cost savings for end users and property managers
- Easily accessible front loading for ergonomic service and maintenance
- All doors are hinged with full length stainless steel piano hinges
- Durable construction to help ensure a long lasting product life
- Available with keyed tumbler lock to reduce pilferage and vandalism

Dispensing: This product dispenses towels manually and requires no additional lever or switches to operate. This product is also universal; meaning, the unit is non-proprietary and dispenses paper from standard commercial paper producers. This allows the end user to avoid getting locked into paper supply contracts and should save them money on their janitorial supplies. To load this product, lift the front pivoting door upward and place the desired towels inside the body of the unit. The towels should be positioned with the start of the towel roll or fold is at the bottom of the unit. Once the towels are positioned properly, feed the loose end of the towel through the gap between the unit and the cutting blade. To operate, use the gap located in the center of the cutting blade and pull downward to expose the towels. Once the towels are exposed, pull to the desired amount and tear upward and to one side to release the towels from the unit.

Frost Products Ltd

5276 John Lucas Drive
Burlington, ON, Canada, L7L5Z9

(905) 332-5700
1-800 667-5094

info@frostproductsltd.com
www.frostproductsltd.com



Specification Information

Capacity:

- This dispenser accepts all single fold and roll towels max 15.4cm (6") diameter and up to 25.4cm (10") long

Materials:

- Front: 20 gauge type 430 stainless steel no.4 brushed finish
- Sides: 22 gauge type 430 stainless steel no. 4 brushed finish
- Back: 24 gauge satin coated steel (galvanneal)
- Bottom: 22 gauge type 430 stainless steel no.4 brushed finish
- Cutting Bar: 22 gauge cold rolled steel black epoxy powder coated finish

Product Dimensions:

- 24.6cm H x 26.9cm W x 17.5cm D (9.7" H x 10.6" W x 6.9" D)

Product Weight:

- 2.3 kg (5 lbs)

Installation Guidelines: For unrestricted access, bottom of the unit to floor must be between 38.1cm to 121.9cm (15" to 48"). This dispenser comes with four standard combination style screws and one key. Mark mounting holes against the mounting surface using a pencil and level. Use a screwdriver or power drill to drill screws in the desired mounting surface and attach the dispenser. Please note that it is recommended that all installations be conducted by a qualified tradesperson. Please read and follow installation guidelines provided with the products. Failure to do so may result in serious injury or death.

Maintenance: Normal preventative maintenance and cleaning will keep Frost products functioning properly and may extend normal product life. Products should be wiped down with a damp soft cloth periodically. Approved stainless steel cleaner may be used to clean scuffs or fingerprints on stainless surfaces. Do not use harsh detergents or chemical cleaners. For stainless steel please do not spray with any product containing bleach, acids, or chlorides, which can be found in many cleaning products such as toilet bowl cleaners. Use of these cleaning solutions may cause discoloration and if used for prolonged periods of time they can eat away at points in the stainless steel. If discoloration occurs, the use of an approved stainless steel cleaner and a firmer scrub pad, such as a Scotch Brite Pad #7447, may remove the markings. Wipe away any debris from the area and gently rub with the pad. Then spray the area with a stainless steel cleaner/polish and rinse and dry. Always wipe with the grain direction for stainless steel products. If a cleaning agent has begun to eat away at the steel on a unit then the unit will likely need to be replaced. The stainless steel that Frost Products uses is of high quality and stainless steel is resistant to rust. However, discoloration that appears to be rust can be caused by cleaning solutions and soaps mentioned above. It is important to discontinue use of any cleaning agent or soap if discoloration begins to occur. Clean off the discoloration as quickly as possible to avoid any permanent damage to the unit. Maintenance staff should be taught how to recognize the signs that they are not using the appropriate cleaning products and how to correctly maintain stainless steel items.

Warranty: If any product or part proves to be defective within 12 months from date of shipment from the factory it will be repaired or replaced without any charge including freight costs when authorized. Costs resulting from the installation or removal of defective products are not covered under this warranty. Discoloration to stainless steel parts resulting from exposure to harsh environmental and / or chemicals are not considered to be defects in workmanship or material and are not covered under warranty.

Frost Products Ltd

5276 John Lucas Drive
Burlington, ON, Canada, L7L5Z9

(905) 332-5700
1-800 667-5094

info@frostproductsltd.com
www.frostproductsltd.com