



Specification Information

Product Code: 105

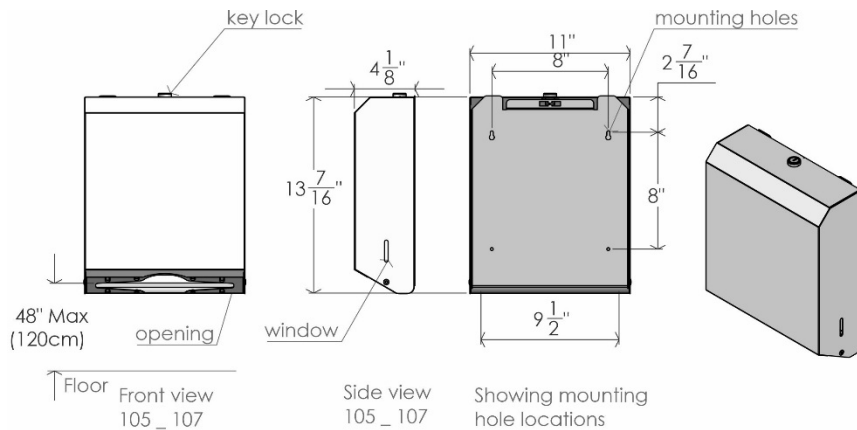
Product Name: Multifold and "C" Fold Universal Paper Towel Dispenser

Individual Carton UPC: 624622105006

Individual Carton Shipping Dimensions: 35.6cm H x 30.5cm W x 12.7cm D (14" H x 12" W x 5" D)

Individual Carton Shipping Weight: 2.2 kg (4.9 lbs)

Site Location: Frost's 105 multifold or "C" fold universal paper towel dispenser is compact in size and durable enough to withstand commercial usage. Typically, this product is used in Schools/Universities, Hospitals, Restaurants, Service Stations, and Industrial Settings. The product's ease of use, durability, and slim profile make this a reliable and popular choice.



Features:

- Paper towel opening has a rolled safety edge
- Comes standard with keyed tumbler lock to reduce pilferage
- Front loading for easy service and maintenance
- Canadian made with high quality durable steel

Dispensing: Frost code 105 will dispense multifold or "C" fold paper towels. It is designed to be universal; meaning, the unit is non-proprietary and dispenses paper from standard commercial paper producers. This allows the end user to avoid getting locked into paper supply contracts and should save them money on their janitorial supplies. The unit is manually operated and can be refilled by unlocking the dispenser from the top. The lid will then swing down and new paper can be inserted.

Capacity: Frost 105 universal paper towel dispenser can hold approximately 250 towels. There is additional room for more towels to be added if desired.

Materials:

- Front: one piece 22 gauge steel finished in white epoxy powder coated paint
- Back: 22 gauge steel finished in white epoxy powder coated paint
- Bottom: Steel rolled safety edge, black powder coated finish

Product Dimensions:

- 34.0cm H x 27.9cm W x 10.5cm D (13.4" H x 11" W x 4.1" D)

Frost Products Ltd

5276 John Lucas Drive
Burlington, ON, Canada, L7L5Z9

(905) 332-5700
1-800 667-5094

info@frostproductsltd.com
www.frostproductsltd.com



Specification Information

Product Weight:

- 2 kg (4.4 lbs)

Installation Guidelines: For unrestricted access, bottom of unit to floor must be between 38.1cm and 121.9cm (15" to 48"). Unit comes with four standard combination style screws. Mark mounting holes against the mounting surface using a pencil and level. Use a screw driver or power drill to drill screws in the desired mounting surface and attach the dispenser. Please note that it is recommended that all installations be conducted by a qualified tradesperson. Please read and follow any additional installation guidelines provided with the products.

Maintenance: Normal preventative maintenance and cleaning will keep Frost products functioning properly and may extend normal product life. Products should be wiped down with a damp soft cloth periodically. Approved stainless steel cleaner may be used to clean scuffs or fingerprints on stainless surfaces. Do not use harsh detergents or chemical cleaners. For general dirt and blemishes on painted steel or plastic use warm water and mild soap, or a general mild cleaning solution. When using any type of cleaning solution, spray onto a discrete area to test before full usage. After the cleaning agent is applied, wipe off with a clean soft cloth or sponge.

Warranty: If any product or part proves to be defective within 12 months from date of shipment from the factory it will be repaired or replaced without any charge including freight costs when authorized. Costs resulting from the installation or removal of defective products are not covered under this warranty. Discolouration to stainless steel parts resulting from exposure to harsh environmental and / or chemicals are not considered to be defects in workmanship or material and are not covered under warranty.