



# Specification Information

**Product Code:** 158-10

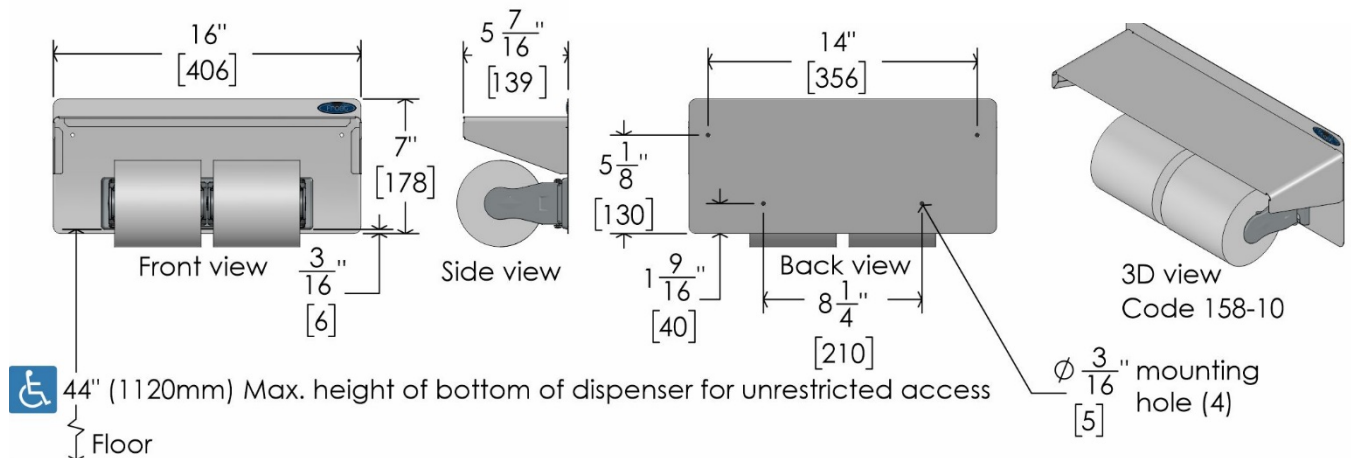
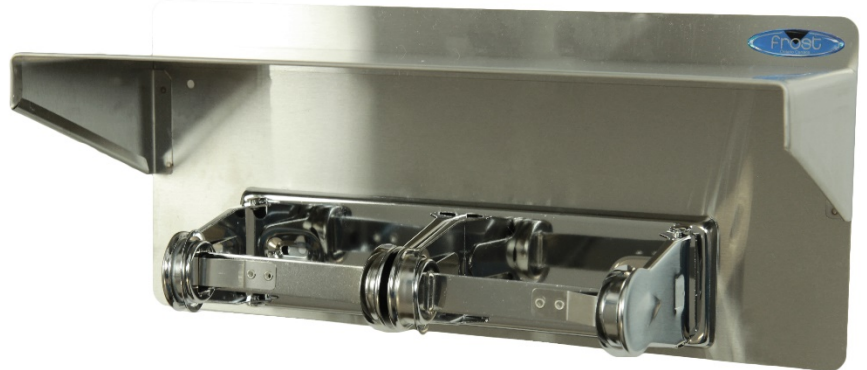
**Product Name:** Double Roll Toilet Tissue Dispenser with Shelf

**Individual Carton UPC:** 624622158101

**Individual Carton Shipping Dimensions:** 20.3cm H x 43.2cm W x 15.2cm D (8" H x 17" W x 6" D)

**Individual Carton Shipping Weight:** 2.5 kg (3.5 lbs)

**Site Location:** Frost's 158-10 shelf double roll toilet tissue dispenser is a high quality, durable and practical product. This dispenser provides a convenient area for users to place their belongings while simultaneously restricting paper consumption. Typically, the dispenser is used in schools/universities, restaurants, malls, office buildings, condominiums, fitness facilities, and recreation centres. The product's ease of use, maintenance and convenience make this a practical hygienic solution.



## Features:

- Straightforward design makes this product user friendly and also reduces the risk of product malfunction
- Non-proprietary dispenser which can lead to cost savings for end users and property managers
- New rounded safety edge detailing
- Convenient area for users to place articles such as phones, bags or purses
- Front loading for easy service and maintenance
- Tension springs reduce paper consumption and stops free-wheeling

Frost Products Ltd  
5276 John Lucas Drive  
Burlington, ON, Canada, L7L5Z9

(905) 332-5700  
1-800 667-5094

info@frostproductsltd.com  
www.frostproductsltd.com



# Specification Information

**Dispensing:** This product dispenses toilet paper manually. This dispenser is also non-proprietary; meaning, this product can dispense paper from any standard commercial paper producer. This allows the end user to avoid getting locked into paper supply contracts and should save them money on their janitorial supplies. The unit is manually operated and can be refilled by pressing the steel flap on the roll of the dispenser. The side of the roll will then pivot open and new tissue can be inserted.

## Capacity:

- Frost code 158-10 will dispense all standard toilet tissue rolls including 10.7cm x 11.4cm (4" x 4½"), 500 sheet rolls
- Capacity of two rolls per unit

## Materials:

- Shelf and back formed from 22 gauge stainless steel type 304 no. 4 brushed finish.
- The dispenser is all welded construction of 18 gauge steel with a polished chrome finish

## Product Dimensions:

- 13.7cm H x 40.6cm W x 17.8cm D (5.4" H x 16" W x 7" D)

## Product Weight:

- 2.3 kg (5 lbs)

## Installation Guidelines:

For unrestricted access, roll should be mounted at least 48.3cm (19") above the finished floor. This dispenser comes with four standard combination style screws. Mark mounting holes against the mounting surface using a pencil and level. Use a screwdriver or power drill to drill screws in the desired mounting surface and attach the dispenser. Please note that it is recommended that all installations be conducted by a qualified tradesperson. Please read and follow any additional installation guidelines provided with the products.

**Maintenance:** Normal preventative maintenance and cleaning will keep Frost products functioning properly and may extend normal product life. Products should be wiped down with a damp soft cloth periodically. Approved stainless steel cleaner may be used to clean scuffs or fingerprints on stainless surfaces. Do not use harsh detergents or chemical cleaners. For stainless steel please do not spray with any product containing bleach, acids, or chlorides, which can be found in many cleaning products such as toilet bowl cleaners. Use of these cleaning solutions may cause discoloration and if used for prolonged periods of time they can eat away at points in the stainless steel. If discoloration occurs, the use of an approved stainless steel cleaner and a firmer scrub pad, such as a Scotch Brite Pad #7447, may remove the markings. Wipe away any debris from the area and gently rub with the pad. Then spray the area with a stainless steel cleaner/polish and rinse and dry. Always wipe with the grain direction for stainless steel products. If a cleaning agent has begun to eat away at the steel on a unit then the unit will likely need to be replaced. The stainless steel that Frost Products uses is of high quality and stainless steel is resistant to rust. However, discoloration that appears to be rust can be caused by cleaning solutions and soaps mentioned above. It is important to discontinue use of any cleaning agent or soap if discoloration begins to occur. Clean off the discoloration as quickly as possible to avoid any permanent damage to the unit. Maintenance staff should be taught how to recognize the signs that they are not using the appropriate cleaning products and how to correctly maintain stainless steel items.

Frost Products Ltd

5276 John Lucas Drive  
Burlington, ON, Canada, L7L5Z9

(905) 332-5700  
1-800 667-5094

info@frostproductsltd.com  
www.frostproductsltd.com



## *Specification Information*

**Warranty:** If any product or part proves to be defective within 12 months from date of shipment from the factory it will be repaired or replaced without any charge including freight costs when authorized. Costs resulting from the installation or removal of defective products are not covered under this warranty. Discolouration to stainless steel parts resulting from exposure to harsh environmental and / or chemicals are not considered to be defects in workmanship or material and are not covered under warranty.