



Specification Information

Product Code: 171-P

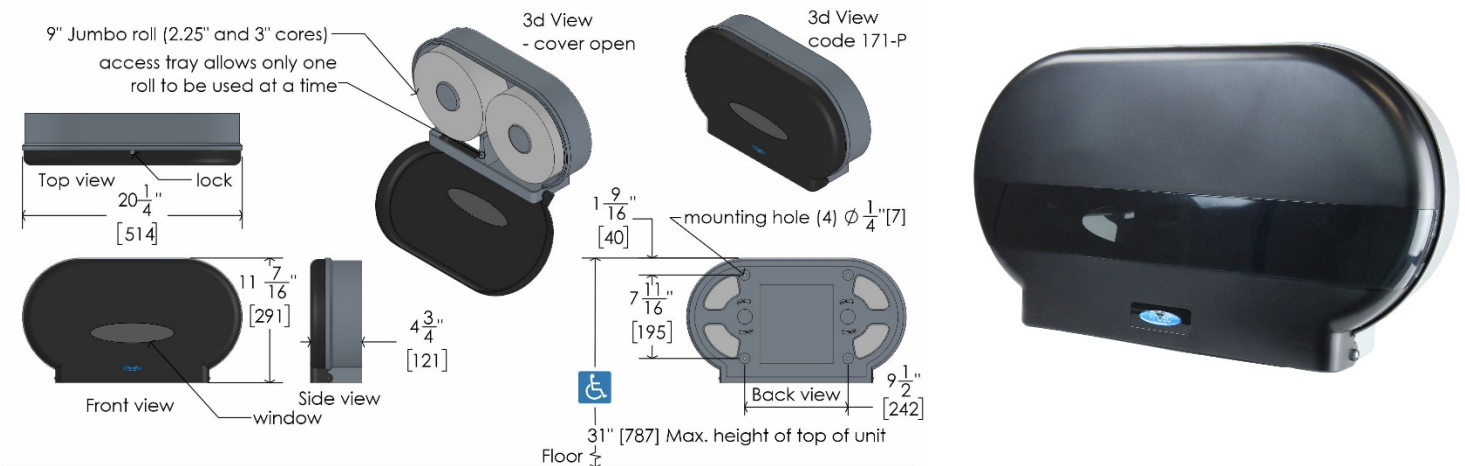
Product Name: Universal Jumbo Double Toilet Tissue Dispenser

Individual Carton UPC: 624622171001

Individual Carton Shipping Dimensions: 31.8cm H x 53.3cm W x 14.0cm D (12 ½" H x 21" W x 5 ½" D)

Individual Carton Shipping Weight: 2.3 kg (5 lbs)

Site Location: Frost's 171-P universal jumbo double toilet tissue dispenser offers a durable and practical solution for high volume areas. Typically, the dispenser is used in schools/universities, restaurants, malls, office buildings, condominiums, fitness facilities, and recreation centres. The product's ease of use and high capacity make it a popular choice in high volume locations.



Features:

- Paper consumption can be managed through opening or closing access tray
- Non-proprietary dispenser which can lead to cost savings for end users and property managers
- Easily accessible front loading
- See through window makes it easy to view paper levels
- Robust high-quality plastic with attractive grey and black finish

Dispensing: This product dispenses toilet paper manually through the bottom of the unit. The dispenser is also universal; meaning, the unit is non-proprietary and dispenses paper from standard commercial paper producers. This allows the end user to avoid getting locked into paper supply contracts and should save them money on their janitorial supplies. To load this product, unlock and swing down the front cover. Place one or two jumbo toilet paper rolls on the exposed plastic holders. If desired, move access tray at the bottom to open or block a roll from being used. Pull the lid back up and lock.

Capacity:

- This dispenser accepts two jumbo toilet tissue rolls with a maximum diameter of 22.9cm (9") and a spindle diameter of 5.7cm (2 ¼") to 7.6cm (3").

Materials:

- Front: Polycarbonate black cover with acrylic front window
- Back: High density plastic with grey finish

Frost Products Ltd

5276 John Lucas Drive
Burlington, ON, Canada, L7L5Z9

(905) 332-5700
1-800 667-5094

info@frostproductsltd.com
www.frostproductsltd.com



Specification Information

Product Dimensions:

- 29.0cm H x 51.4cm W x 12.0cm D (11.4" H x 20.25" W x 4.75" D)

Product Weight:

- 1.8 kg (4 lbs)

Installation Guidelines: For unrestricted access, bottom of the unit to floor must be between 38.1cm to 121.9cm (15" to 48"). This dispenser comes with four standard combination style screws and anchors. Mark mounting holes against the mounting surface using a pencil and level. Use a screwdriver or power drill to drill screws in the desired mounting surface and attach the dispenser. Please note that it is recommended that all installations be conducted by a qualified tradesperson. Please read and follow any additional installation guidelines provided with the products.

Maintenance: Normal preventative maintenance and cleaning will keep Frost products functioning properly and may extend normal product life. Products should be wiped down with a damp soft cloth periodically. Approved stainless steel cleaner may be used to clean scuffs or fingerprints on stainless surfaces. Do not use harsh detergents or chemical cleaners. For general dirt and blemishes on painted steel or plastic use warm water and mild soap, or a general mild cleaning solution. When using any type of cleaning solution, spray onto a discrete area to test before full usage. After the cleaning agent is applied, wipe off with a clean soft cloth or sponge.

Warranty: If any product or part proves to be defective within 12 months from date of shipment from the factory it will be repaired or replaced without any charge including freight costs when authorized. Costs resulting from the installation or removal of defective products are not covered under this warranty. Discolouration to stainless steel parts resulting from exposure to harsh environmental and / or chemicals are not considered to be defects in workmanship or material and are not covered under warranty.