



Specification Information

Product Code: 620

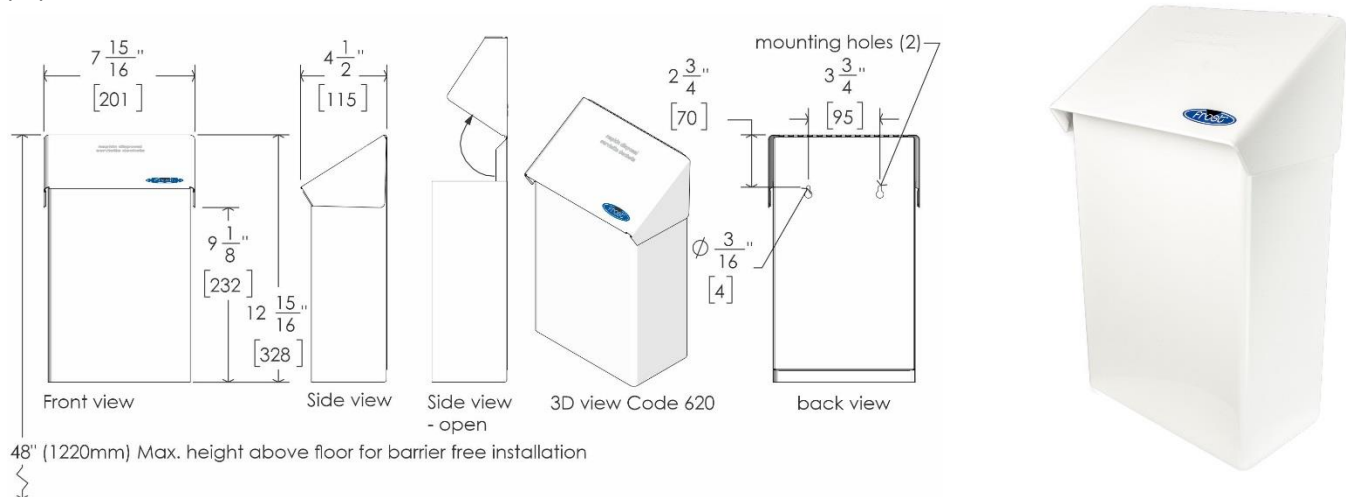
Product Name: Surface Mounted Napkin Disposal

Individual Carton UPC: 624622620004

Individual Carton Shipping Dimensions: 34.3cm W x 12.7cm H x 21.6cm D (13.5" W x 5" H x 8.5" D)

Individual Carton Shipping Weight: 1.8kg (4 lbs)

Site Location: Frost 620 surface mounted napkin disposal is practical, durable, and easy to maintain. This economical surface mounted unit provides flexible mounting and ease of maintenance for partition panel systems or any type of wall construction. Typically, these units are used in schools, malls, hospitals, office buildings, recreational facilities, and other commercial properties. The ease of use, durable construction, and low maintenance of this product make it a popular choice.



Features:

- Canadian made with heavy duty 22 gauge steel
- Pivoting self-closing lid
- French/English napkin disposal label is embossed on lid
- Pivoting door utilizes full length piano hinge
- Easy to clean and maintain

Capacity:

- 6 litres (1.6 US gal., 1.3 Imp gal.)

Materials:

- All welded steel construction (22 gauge)
- White epoxy powder coated finish

Product Dimensions:

- 20.1cm W x 32.8cm H x 11.4cm D (7.9" W x 12.9" H x 4.5" D)

Product Weight:

- 1.7kg (3.75 lbs)

Frost Products Ltd

5276 John Lucas Drive
Burlington, ON, Canada, L7L5Z9

(905) 332-5700
1-800 667-5094

info@frostproductsltd.com
www.frostproductsltd.com



Specification Information

Installation Guidelines: Position cabinet 66cm (26") from floor. Mounting hardware is not provided, but the unit can be mounted using screws, with or without anchors, depending on the material it is being mounted onto. For barrier free mounting ensure that top of unit does not exceed 120 cm (48") above floor level. Mark mounting holes against the mounting surface using a pencil and level. Use a screwdriver or power drill to drill screws in the desired mounting surface and attach the disposal. Please note that it is recommended that all installations be conducted by a qualified tradesperson. Failure to do so may result in serious injury. Please read and follow any additional installation guidelines provided with the products.

Maintenance: Normal preventative maintenance and cleaning will keep Frost products functioning properly and may extend normal product life. Products should be wiped down with a damp soft cloth periodically. Approved stainless steel cleaner may be used to clean scuffs or fingerprints on stainless surfaces. Do not use harsh detergents or chemical cleaners. For general dirt and blemishes on painted steel or plastic use warm water and mild soap, or a general mild cleaning solution. When using any type of cleaning solution, spray onto a discrete area to test before full usage. After the cleaning agent is applied, wipe off with a clean soft cloth or sponge.

Warranty: If any product or part proves to be defective within 12 months from date of shipment from the factory it will be repaired or replaced without any charge including freight costs when authorized. Costs resulting from the installation or removal of defective products are not covered under this warranty. Discolouration to stainless steel parts resulting from exposure to harsh environmental and / or chemicals are not considered to be defects in workmanship or material and are not covered under warranty.